



## Tubular Specialties Manufacturing, Inc.

13011 South Spring Street, Los Angeles, CA 90061-1685

Phone 800/Grab Bar (800/472-2227) or 310/515-4801

www.GrabBar.com • Fax 310/217-0653

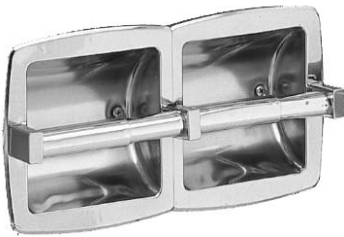
# 820

## Recessed St. St. Double Toilet Paper Holder

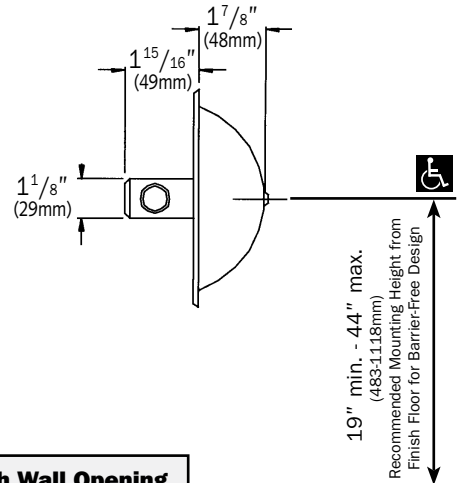
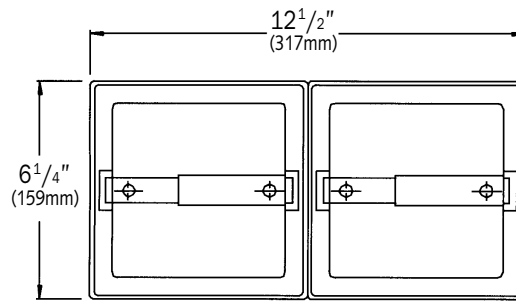
With Lugs for Wet Wall Installation

### Technical Data

Revised Jan. 2008



Shown with Bright Finish  
Model 820B



#### Rough Wall Opening

|                                  |              |
|----------------------------------|--------------|
| 11 <sup>3</sup> / <sub>4</sub> " | Wide (298mm) |
| 5 <sup>1</sup> / <sub>4</sub> "  | High (134mm) |
| 2 <sup>1</sup> / <sub>4</sub> "  | Deep (58mm)  |



## Specification

Recessed Dual Roll Toilet Paper Holder shall hold and dispense two (2) rolls of standard core roll tissue up to 6" dia. (152mm). Unit shall be of one-piece construction fabricated of alloy 18-8 stainless steel, type 304. Outer shell shall have perforated lugs for wet wall installation. Rollers shall be chrome-plated high-impact resistant ABS plastic and shall be spring-loaded. All exposed surfaces shall be [satin] [bright] finish as chosen by option and indicated by code suffix S or B.

**Recessed Stainless Steel Double Toilet Paper Holder shall be Model [820S] [820B] as manufactured by Tubular Specialties Manufacturing, 13011 South Spring Street, Los Angeles, California 90061, tel 800-Grab Bar.**



## Installation

- For compliance with ADA Accessibility Guidelines, unit should be installed with centerline of roller 19" (483mm) minimum to 44" (1118mm) maximum above finish floor. Forward edge of roll should be no farther than 36" (914mm) maximum from the rear wall behind commode.
- Rough wall opening is 11 <sup>3</sup>/<sub>4</sub>" wide x 5 <sup>1</sup>/<sub>4</sub>" high x 2 <sup>1</sup>/<sub>4</sub>" deep (298mm x 134mm x 58mm).
- Slop grout into rough wall opening. Apply grout to back of unit and on lugs and push unit into opening. Set flange flush with face of finished wall.
- Accessories should be inspected periodically to make sure their attachment to the wall is not loosening.



TSM 820 Recessed Double TP Holder is guaranteed against defects in workmanship and material for one year from shipping date.