



Tubular Specialties Manufacturing, Inc.

13011 South Spring Street, Los Angeles, CA 90061-1685

Phone 800/Grab Bar (800/472-2227) or 310/515-4801

www.GrabBar.com • Fax 310/217-0653

819

Recessed St. St. Double Toilet Paper Holder

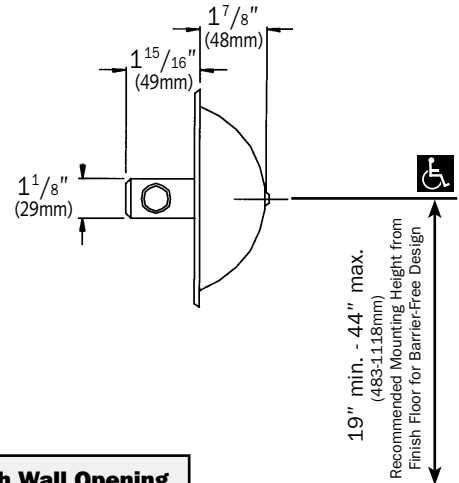
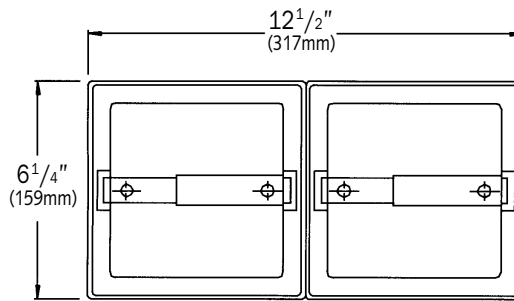
With Dry Wall Mounting Clamps

Technical Data

Revised Jan. 2008



Shown with Bright Finish
Model 819B



Rough Wall Opening

| | |
|----------------------------------|--------------|
| 11 ³ / ₄ " | Wide (298mm) |
| 5 ¹ / ₄ " | High (134mm) |
| 2 ¹ / ₄ " | Deep (58mm) |



Specification

Recessed Dual Roll Toilet Paper Holder shall hold and dispense two (2) rolls of standard core roll tissue up to 6" dia. (152mm). Unit shall be of one-piece construction fabricated of alloy 18-8 stainless steel, type 304. Outer shell shall have four (4) dimple holes for dry wall installation. Rollers shall be chrome-plated high-impact resistant ABS plastic and shall be spring-loaded. All exposed surfaces shall be [satin] [bright] finish as chosen by option and indicated by code suffix S or B.

Recessed Stainless Steel Double Toilet Paper Holder shall be Model [819S] [819B] as manufactured by Tubular Specialties Manufacturing, 13011 South Spring Street, Los Angeles, California 90061, tel 800-Grab Bar.



Installation

- For compliance with ADA Accessibility Guidelines, unit should be installed with centerline of roller 19" (483mm) minimum to 44" (1118mm) maximum above finish floor. Forward edge of roll should be no farther than 36" (914mm) maximum from the rear wall behind commode.
- Rough wall opening is 11 ³/₄" wide x 5 ¹/₄" high x 2 ¹/₄" deep (298mm x 134mm x 58mm).
- Loosely attach dry wall clamps with 8-323 machine screws (supplied).
- Insert unit into wall opening and adjust clamps so that they grip surface inside opening.
- Fasten unit to wall opening with No. 10 self-tapping screws (supplied) through dimpled holes at back of shell.
- Secure unit by tightening screws.
- Accessories should be inspected periodically to make sure their attachment to the wall is not loosening.



TSM 819 Recessed TP Holder is guaranteed against defects in workmanship and material for one year from shipping date.